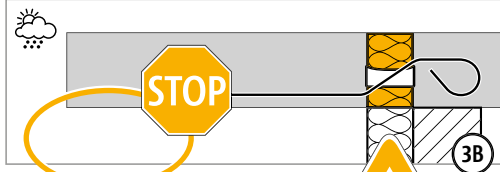
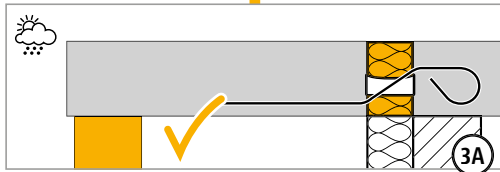
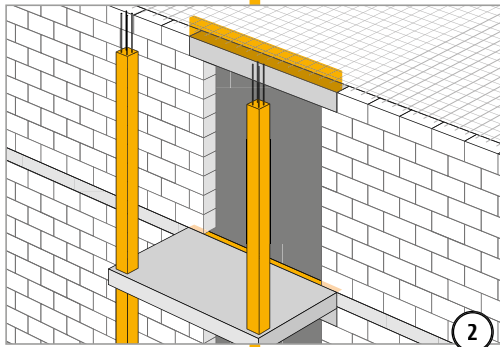
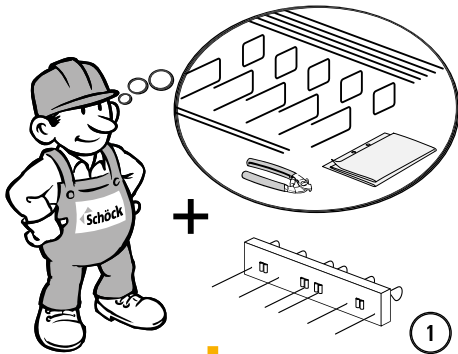


Installation instructions

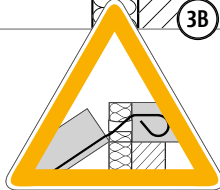
TE
COMPACT

QXT

Reinforced concrete/Reinforced
concrete

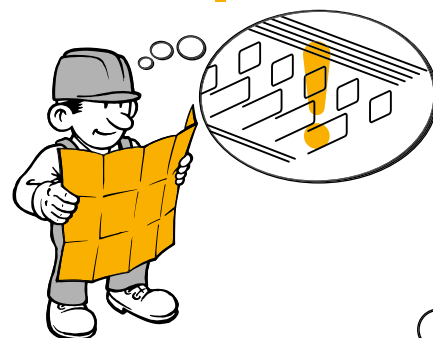
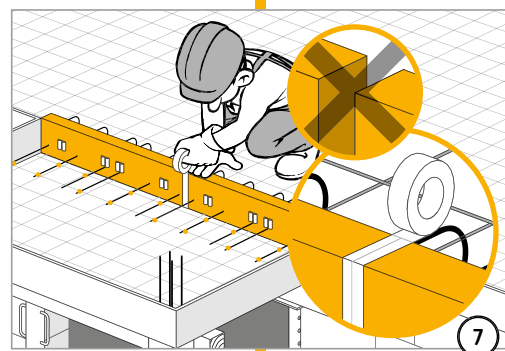
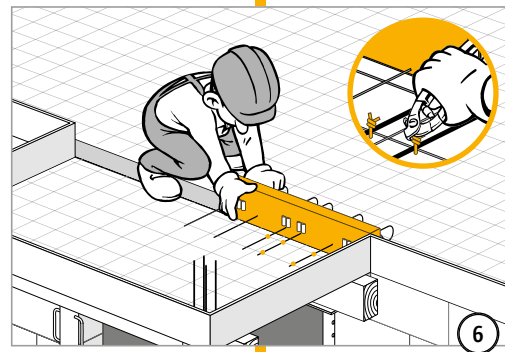
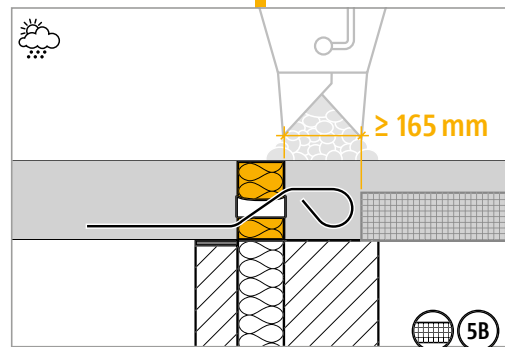
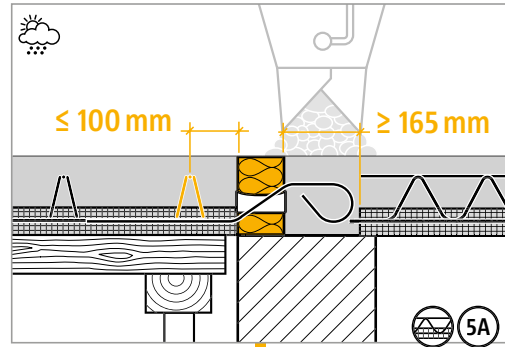
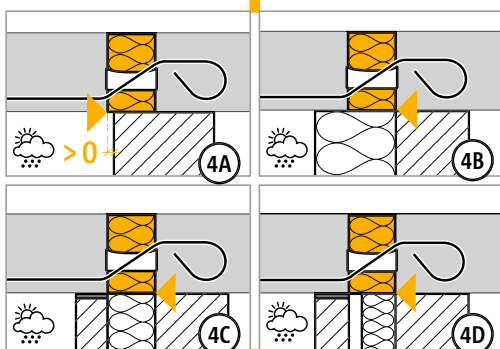


⚠ WARNING

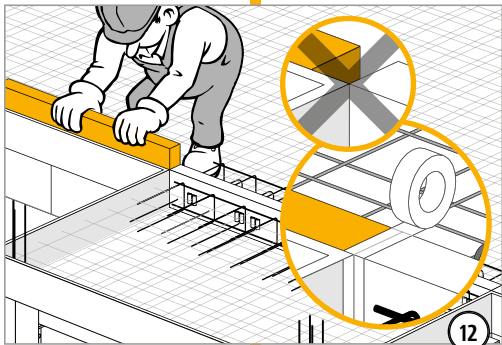
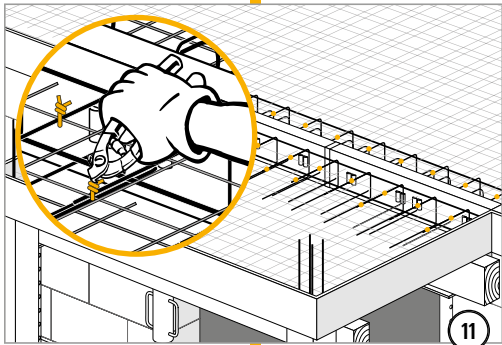
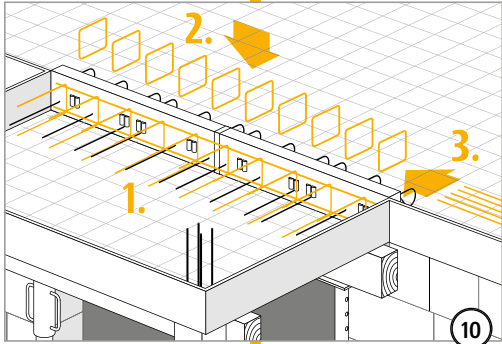
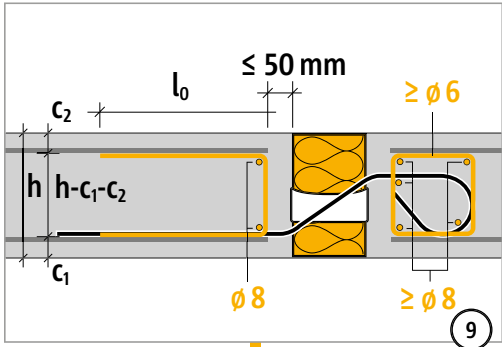


Without support the balcony will collapse!

The balcony must always be supported statically designed. Remove temporary support only after installation of final support.



Installation instructions



QXT

Reinforced concrete/Reinforced concrete