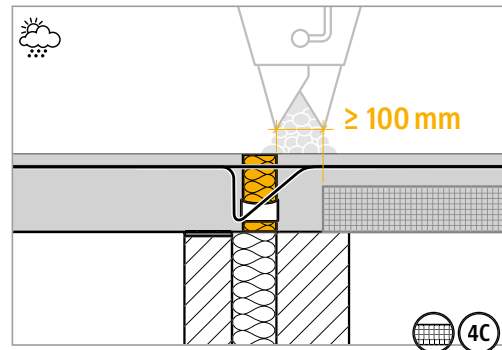
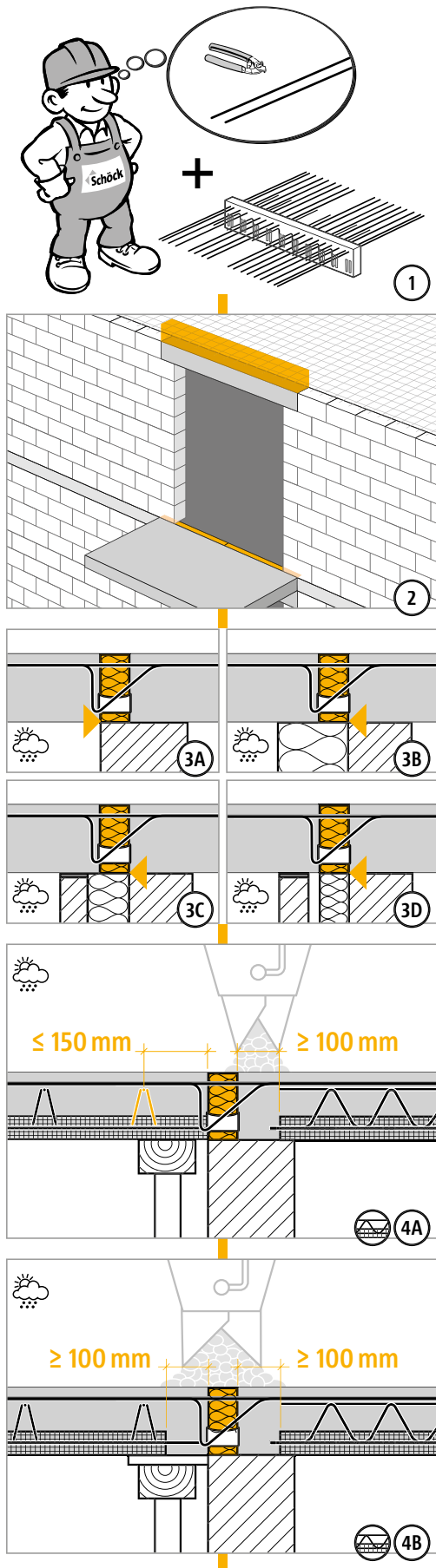
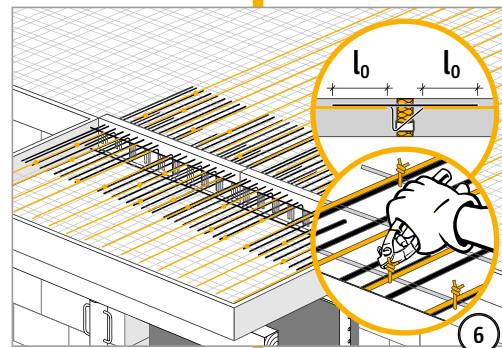
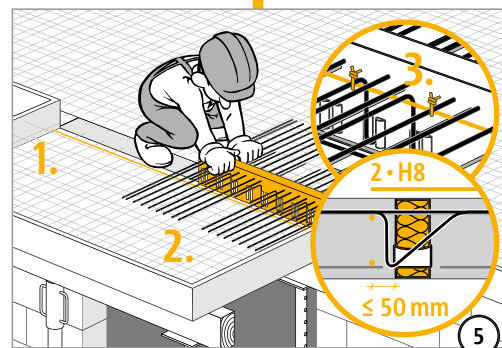


# Installation instructions



④A-④C Without fail fill compression joint with in-situ concrete! Joint width  $\geq 100$  mm.



K  
Reinforced concrete/reinforced concrete