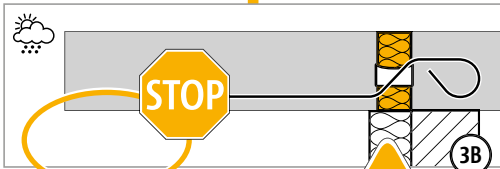
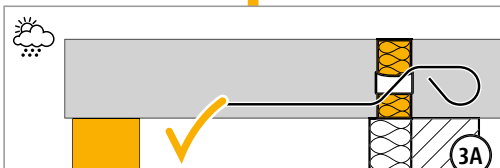
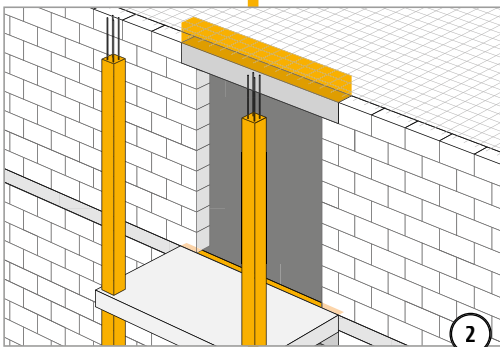
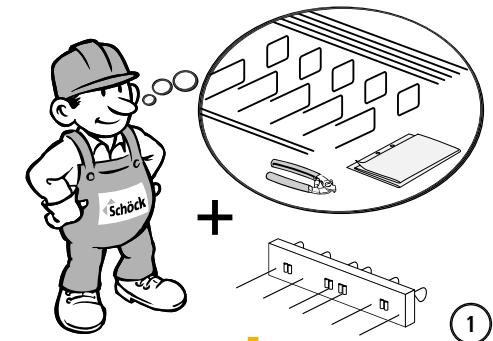
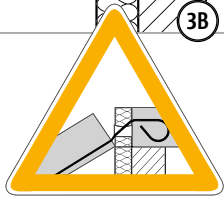


# Installation instructions

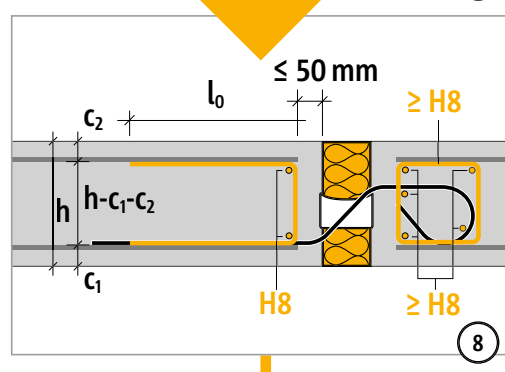
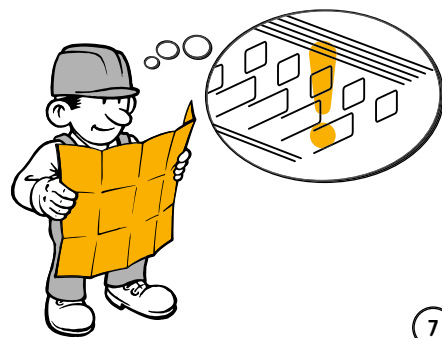
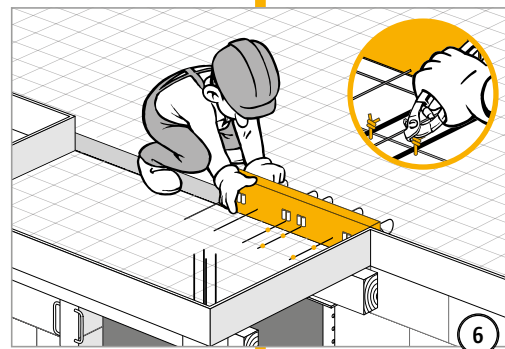
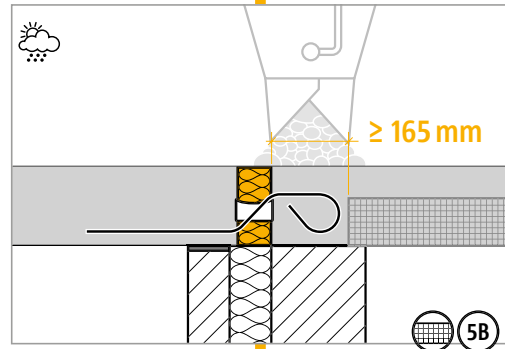
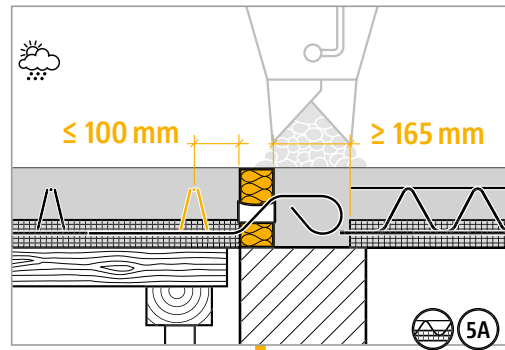
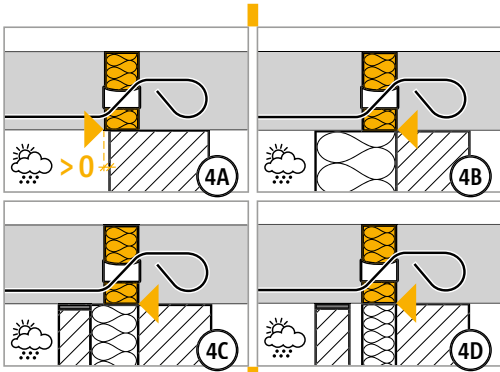
Reinforced concrete/reinforced concrete



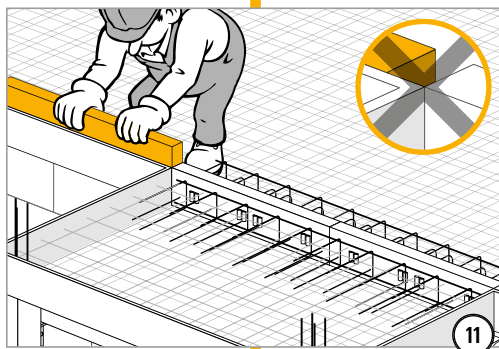
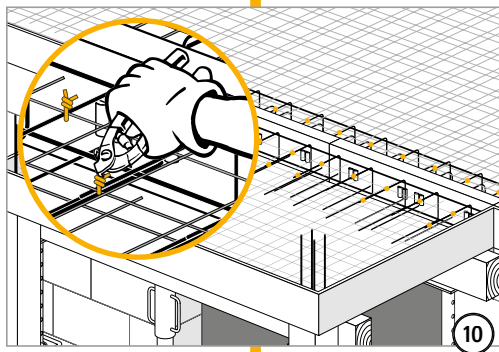
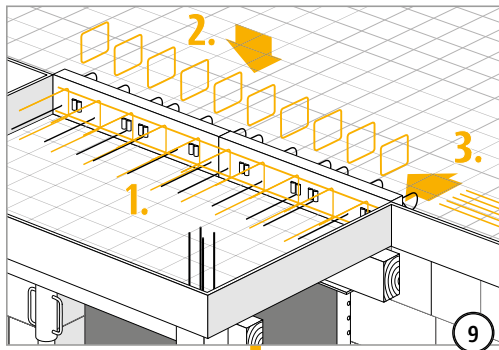
**WARNING**



**Without support the balcony will collapse!**  
The balcony must always be supported statically designed. Remove temporary support only after installation of final support.



## Installation instructions



Q

Reinforced concrete/reinforced  
concrete